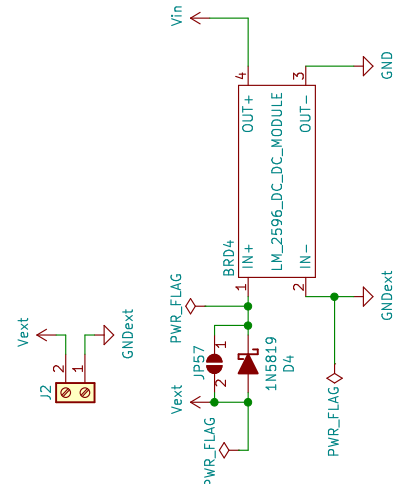
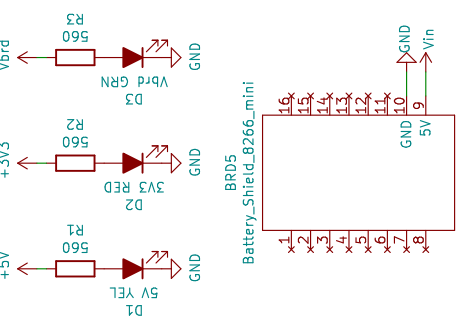
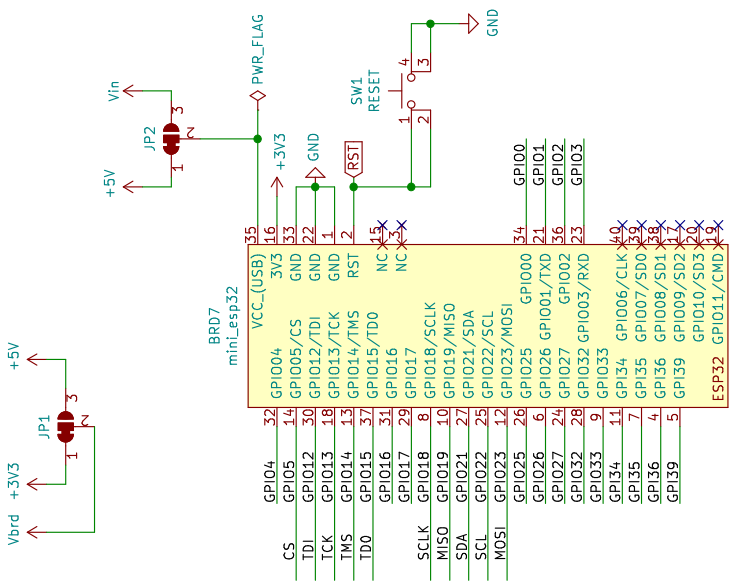
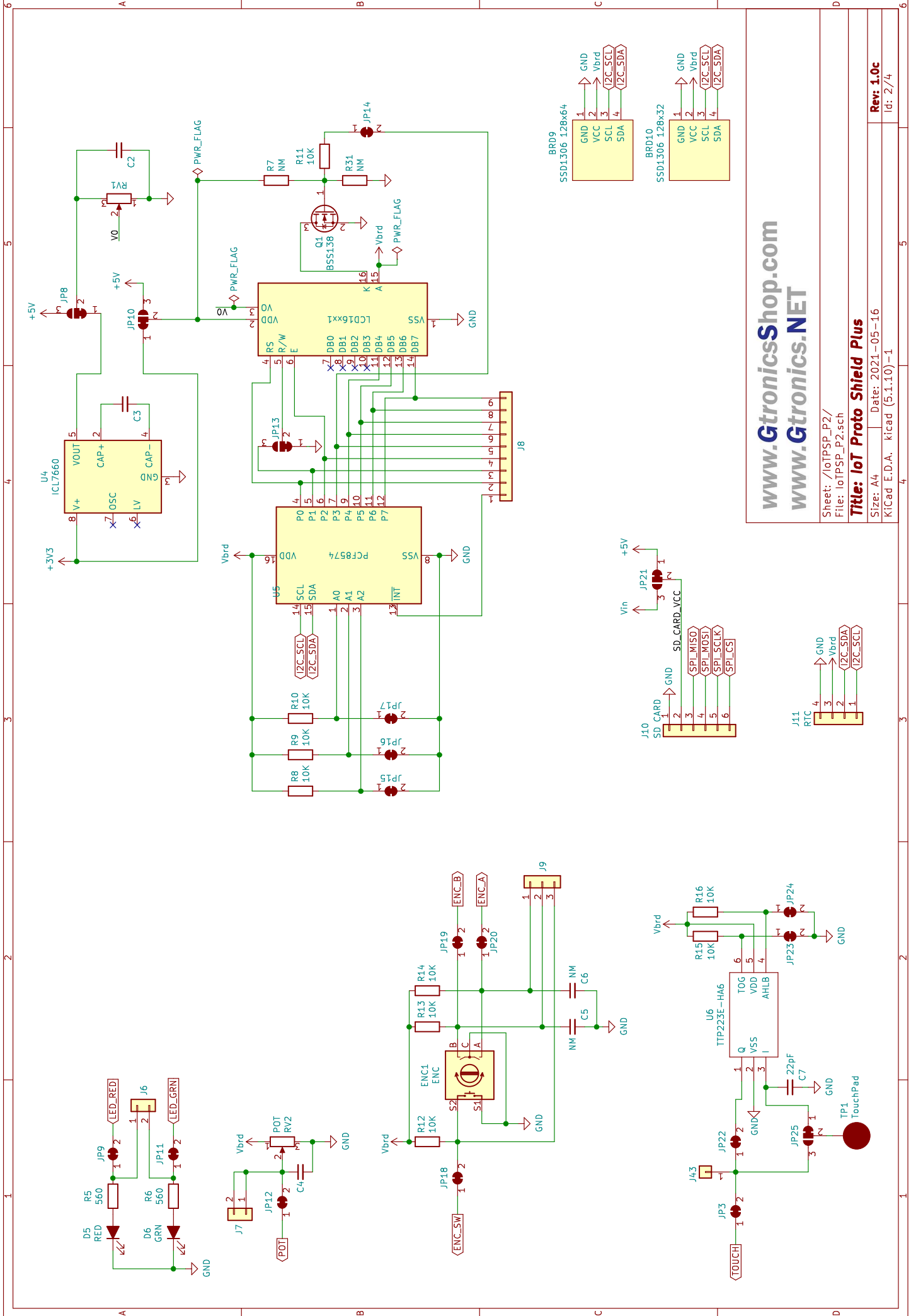


www.GtronicsShop.com
www.Gtronics.NET

Sheet: /
File: IoTProtoShieldPlus.sch
Title: IoT Proto Shield Plus
Size: A4
Date: 2021-05-16
KiCad E.D.A. kicad (5.1.10)-1

- SCHMATIC ARDUINO ESP32
- <SERVO> D5 GPIO4 Pin3
 - <SPLCS> D10 GPIO5 Pin4
 - <RELAY> D8 GPIO12 Pin5
 - <DHT1> D9 GPIO13 Pin6
 - <HC_SRL> D6 GPIO14 Pin7
 - <HC_SRE> D7 GPIO15 Pin8
 - <U_RX> D0 GPIO16 Pin9
 - <U_TX> D1 GPIO17 Pin10
 - <SPL_SCLK> D13 GPIO18 Pin11
 - <LED_GRN> D42 GPIO19 Pin12
 - A4 GPIO21 Pin13
 - A5 GPIO22 Pin18
 - D11 GPIO23 Pin19
 - D4 GPIO25 Pin20
 - <MOT_STP> D3 GPIO26 Pin21
 - <ENC_A> D2 GPIO27 Pin22
 - A0 GPIO32 Pin23
 - A1 GPIO33 Pin24
 - <ENC_SW> A2 GPIO34 Pin25
 - <LDR_xTC> A3 GPIO35 Pin26
 - <ENC_B> A6 GPIO36 Pin27
 - <POT> A7 GPIO39 Pin28
 - <MIC>

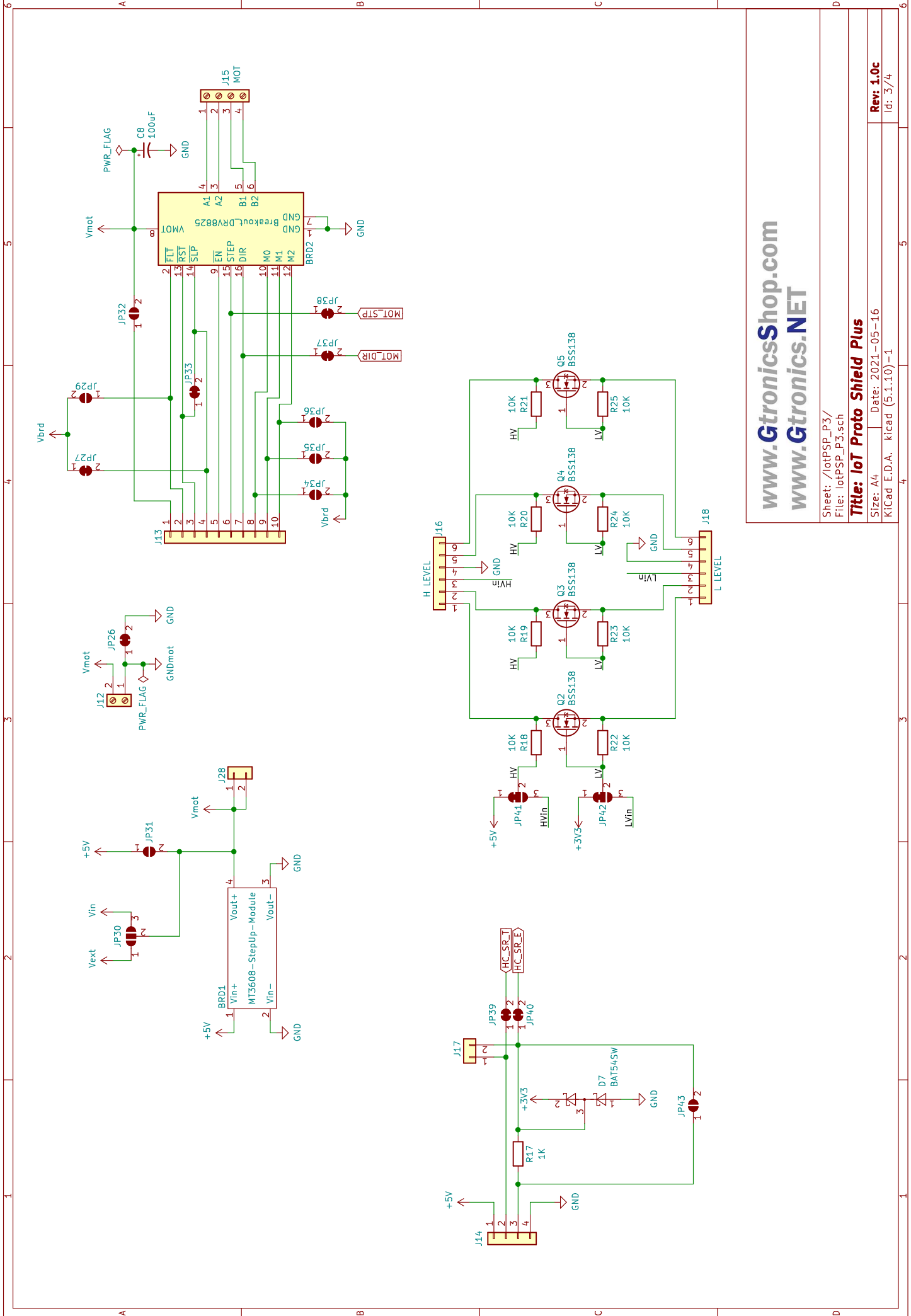




www.GtronicsShop.com
www.Gtronics.NET

Sheet: /IoT_PSP_P2/
File: IoT_PSP_P2.sch
Title: IoT Proto Shield Plus
Size: A4 Date: 2021-05-16
KiCad E.D.A. kicad (5.1.10)-1

Rev: 1.0c
Id: 2/4



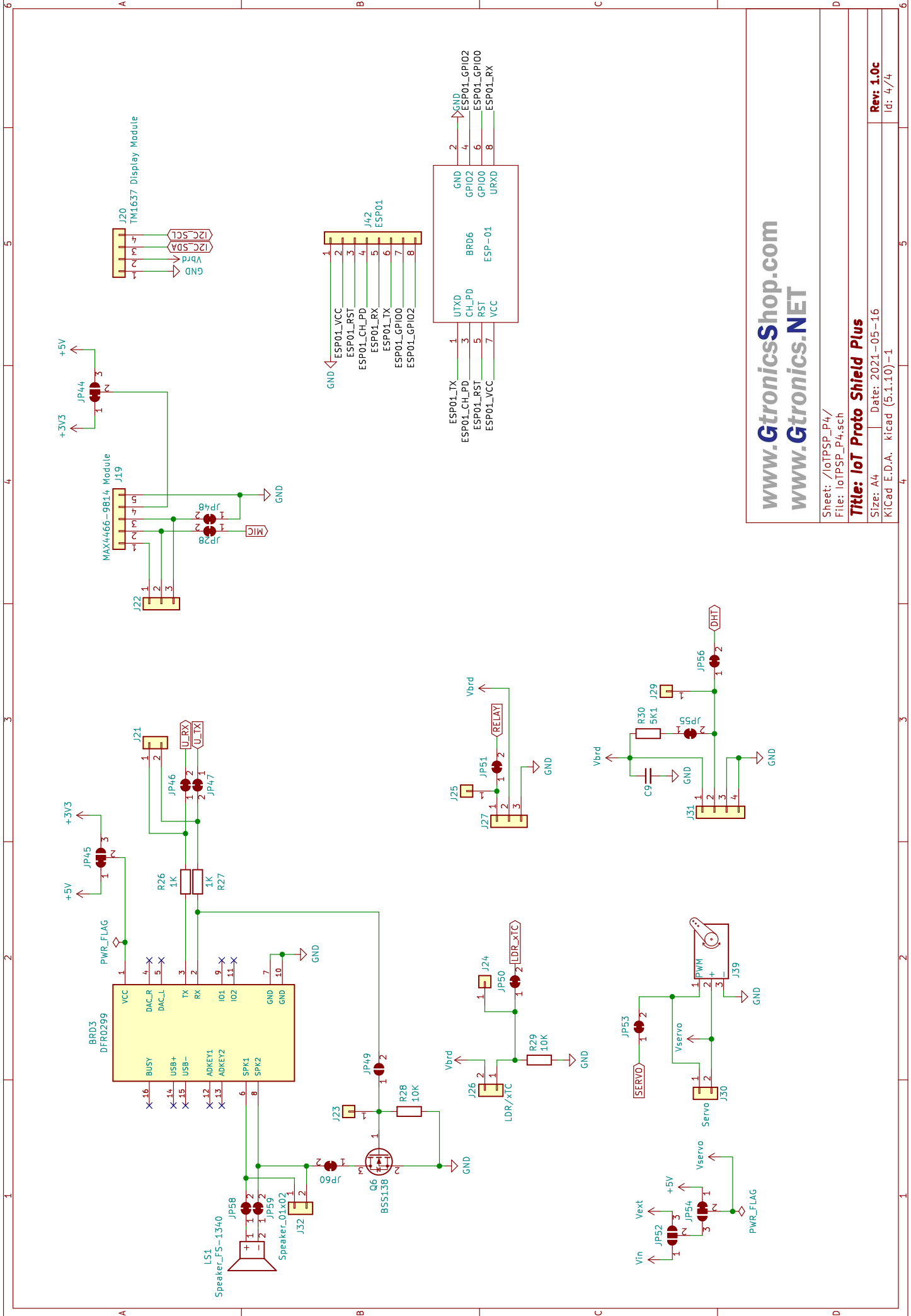
www.GtronicsShop.com
www.Gtronics.NET

Sheet: /lotPSP_P3/
File: lotPSP_P3.sch

Title: IoT Proto Shield Plus

Size: A4 | Date: 2021-05-16
KiCad E.D.A. kicad (5.1.10)-1

Rev: 1.0c
Id: 3/4



www.GtronicsShop.com
www.Gtronics.NET

Sheet: /IoT_PSP_P4/
File: IoT_PSP_P4.sch
Title: IoT Proto Shield Plus
Size: A4 | Date: 2021-05-16
KiCad E.D.A. kicad (5.1.10)-1

Rev: 1.0c
Id: 4/4